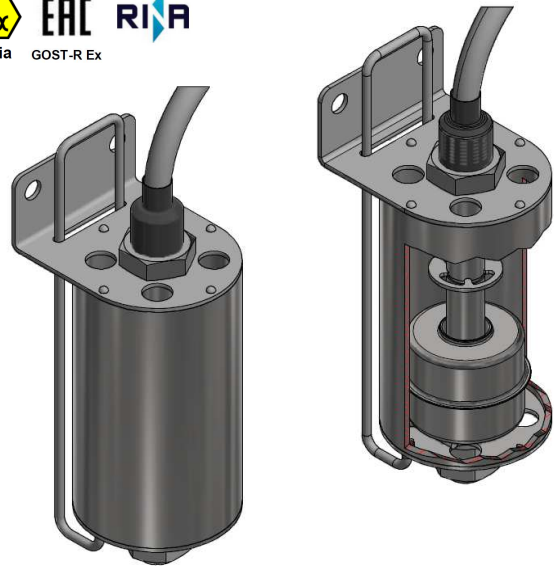


GENERAL CHARACTERISTICS

Electro-mechanical level control with **RINA Naval Certification** and **Exia ATEX Certification**, designed for the operation of bilge pumps in ships or boats.

A magnetic float is housed in a metal body which follows the liquid level and activates a reed contact at the predetermined switch point.



- Bilge pump operating sensor
- Equipped with "test device"
- Body in AISI-316L
- Fixed setting with 1 switch point
- Float and guide rod in AISI-316L
- Maximum working pressure 10 bar
- Ambient temperature -30 / + 55 °C - 90% RH
- Maximum working temperature 105 °C
- Minimum degree of protection IP68
- Test device for on/off switch test on site

TECHNICAL DATA Tab.1

Type	Fixing	Float - S41 P.S.	Max. pressure Bar	Max. temperature °C	Contacts n.	Weight kg
S1	Bracket connection	> 0,65 g/cm ³	10	105	1	1,2

Bracket material

S
AISI-316L

Body material

S
AISI-316L

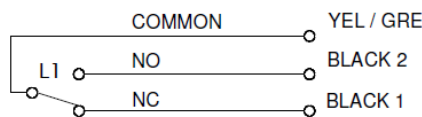
Float materials

S41	Guide rod
AISI-316L	AISI-316L

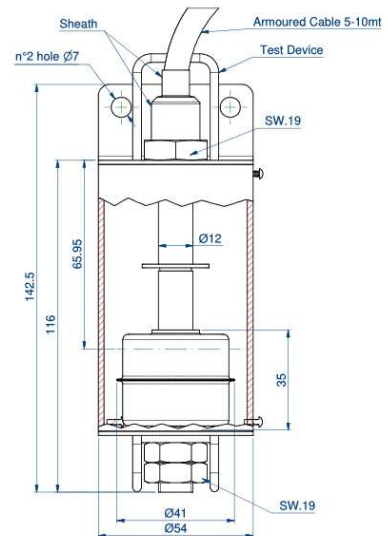
ELECTRICAL CONTACTS Tab.2

TYPE		VOLTAGE		CURRENT	
		AC	DC	AC	DC
SPDT	7	230V	230V	1A	1A

WIRING Tab.3



DIMENSIONS mm.



ELECTRICAL OUTPUT Tab.4

Armoured cable 3x0,75 - PVC	5,0M	Length 5 meters
	10,0M	Length 10 meters

NOMENCLATURE

S1	S41	7	BILGE	5,0M
•				
	•			
		•		
			•	
				•

	Type
Tab.1	Float
Tab.2-3	Electrical contact – wiring
-	Bilge level
Tab.4	Cable length