



1. **Delivery**

All instruments delivered are ready for operation. Avoid rough handling.

2. **Mounting**

2.1 **Mounting orientation**

HSW flow switches are designed to be installed directly in a pipe system. The units can be installed in any desired position. If the switch-point is pre-adjusted, changes in mounting position can cause small deviations of the switch-point especially at flow-switches for bigger pipe sizes.

2.2 **Flow direction**

It is essential that the unit is mounted so that flow is as indicated by the arrow on the body. The unit will not operate unless installed correctly in this way.

2.3 **Position of mounting**

To avoid damages at the measuring system it is especially important to have the biggest possible distance from magnet valves and ball valves. If it is not possible to have a big distance, the valves have to be installed **after** the instruments. To avoid pressure shocks it is very important to open the valves slowly.

It is advantageous to install the unit in a straight piece of pipe and to choose a place of mounting which has the biggest possible distance from elbows, valves etc.

In order to have an accurate function of the device we recommend a straight length of $10 \times d$ at input side and $5 \times d$ at the output side (d = internal diameter of pipe).

3. **Mounting at the tube**

3.1 **Insertable model**

The device has to be screwed in a $\frac{1}{2}$ " thread socket. Ensure that the target plate is placed completely in the flow.

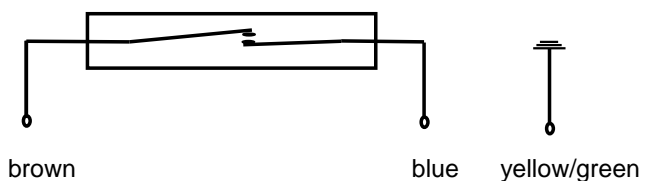
3.2 **Item with thread connection (T-piece)**

The pipe has to be connected directly with the device. We recommend sealing all threads with PTFE sealing tape

4. **Electrical connections**

A reed-switch is founded in the switch enclosure, the reed-switch is actuated magnetically. The electrical connection has to be made due to the circuit diagram.

No electrical values indicated on the label may be exceeded.

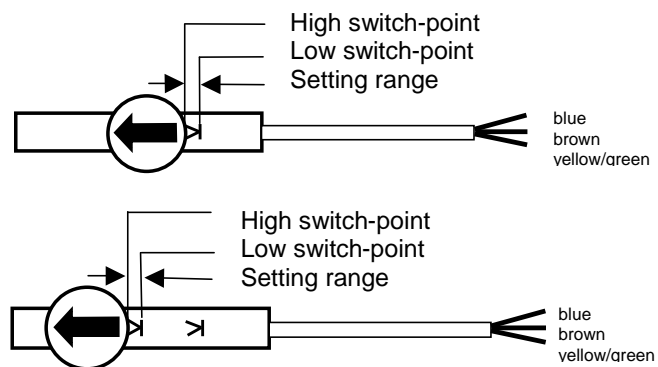


5. **Adjusting the switchpoint**

The contact is closed exceeding the switch-point if the reed-switch tube is adjusted to the right arrow. (cable right hand-side).

The contact is open exceeding the switch-point if the reed-switch tube is adjusted to the left arrow.

The tip of arrow corresponds to the lowest and the end of the arrow to the highest possible switch point.



Technical modifications reserved